

# SPADONE

# RUGGED + RELIABLE

## FOR OVER 100 YEARS

# BIAS CUTTER CONVERSION PACKAGES

White Sidewall Buffers & Sprayers | Vent Trimmers | Skivers | **Bias Cutters** | Guillotines  
Alfa Shears | Web Handling | Trucks | **Upgrade Kits** | Spare Parts



[www.spadonemachine.com](http://www.spadonemachine.com)

## BIAS CUTTER CONVERSION PACKAGES



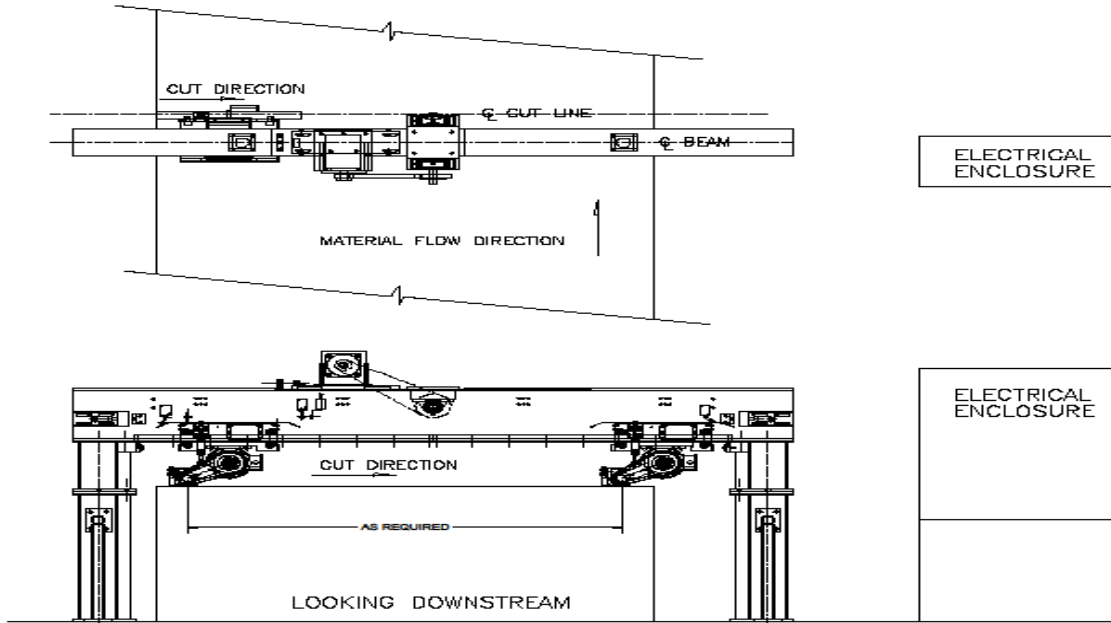
### Technical Specifications

Spadone's has manufactured Bias Cutters for over 100 years and fully supports all equipment with spare parts and aftermarket service. Spadone has developed a retrofit package for all bias cutters manufactured from McNeil & NRM, Banner and many others. With spare parts and aftermarket service no longer being readily supplied by these manufacturers, Spadone's conversion packages offer commercially available parts for continuous maintenance in high production environments.

### Features

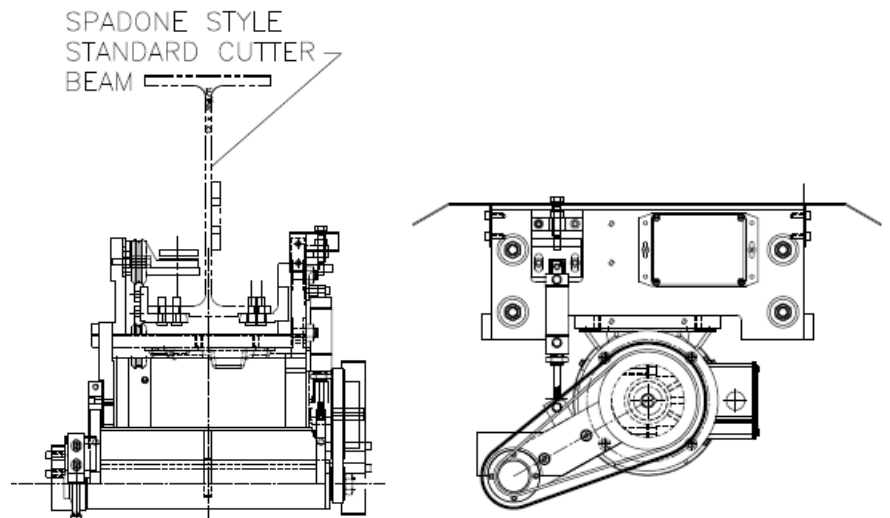
- Cutter head and beam assembly specifically designed as a direct replacement
- Integration into existing control systems
- Precise Servo-driven cutter head
- Commercially available knife motor replaces NRM/Peerless Winsmith motor
- Conversion available to cut steel cord from poly fabric machine
- Conversion available to replace NRM Style and Spadone knife cutter heads to one with commercially available motor
- Complete controls upgrade package available
- Aftermarket support and service
- Same day parts available
- Maintained cut accuracy
- High production capability
- Rugged and dependable
- Protected for operator safety
- Over 100 years of experience

Illustrative Drawing



### Example Specifications

Fabric Width	59"
Cut Angle	0° to 45°
Cut Widths	6" minimum to machine capacity at 90°
Knife Carriage Travel	Adjustable from 60" to 96"
Cut Width Accuracy	Per existing machine
Cut Angle Accuracy	Per existing machine
Knife Motor	½ HP A.C. 3600 RPM
Knife	3 ¾" diameter for standard fabric 8,700 RPM knife rotation



**RUGGED. DEPENDABLE. RELIABLE.**

Spadone is the worldwide brand leader in equipment for the tire, rubber and industrial markets. Since 1917, Spadone equipment has proven to be rugged, reliable, and dependable. For over 100 years, Spadone has proudly manufactured in the USA. As the pioneer in bias cutters, Spadone continues to lead the way by providing the highest quality equipment to meet the growing needs of its customers throughout the world.

**INDUSTRY LEADING  
PERFORMANCE  
SINCE 1917**

**SPADONE**

[spadonemachine.com](http://spadonemachine.com)



601 Davisville Rd, Willow Grove, PA 19090  
P: 1.215.396.8005 E: [sales@spadonemachine.com](mailto:sales@spadonemachine.com)